





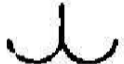
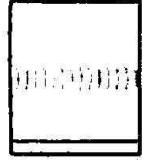
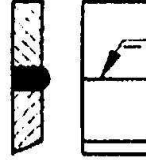
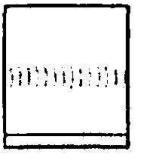
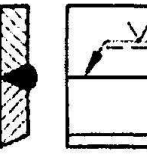
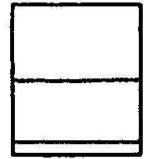
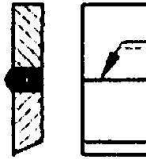
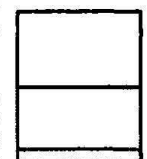
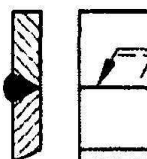


DE =	EN =	PT =	VN =
Welding symbols			

Welding processes Information 11 Welding Symbols 93_b

Supplemental and auxiliary symbols		cf. DIN EN 22553 (1997-03)	
	Weld all around		Weld surface hollow (concave)
	Field weld (weld is made on the construction side)		Weld surface flat (planar)
	Entry of the welding process in the tail		Weld surface curved (convex)
			Weld surface notch free

Representation in drawings (basic symbols)				cf. DIN EN 22553 (1997-03)			
Weld type/ symbol	Representation		Weld type/ symbol	Representation		Weld type/ symbol	Weld type/ symbol
	graphical	symbolic		graphical	symbolic		
Butt weld 			V groove weld ∇				
							

gezeichnet:	hpw	Datum:		education project	Schweißsymbole	translate/en_ds/p_ct/vn_ro	origin: MT, S.93
Aenderung:	an	Datum:	08.04.2013	WIAP KFKOK	Welding Symbols	r4a	datei_Wi_8_f_18_d12_r4a_Wel
Aenderung:	control 2	Data:		Safenwil Schweiz	spear 2	www.wiap.ch	idee of / from HPW